

ASSEMBLY INSTRUCTION

REFLECT WHITE

Designed by
VERNER PANTON

VERPAN

BEFORE YOU GET STARTED



Read the entire manual
before mounting

The white Reflect lamp contains colour pads, that are used to make an ambient and cozy lighting. Place one or mix more colour pads under the diffuser to customize a personal light.

MAINTENANCE: IMPORTANT! Clean with a soft cloth, warm water and a mild detergent. Do NOT use any abrasive materials.

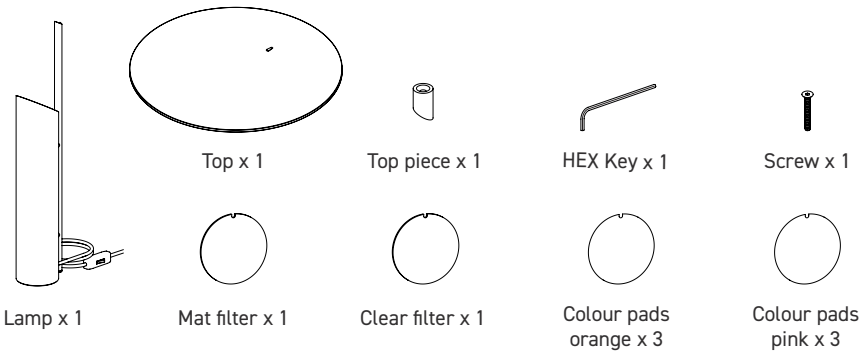
RECOMMENDATION:

To achieve a bright, warm and clean light. We recommend a light bulb with the following specifications: 2700 Kelvin, max. 10W

IMPORTANT:

If the external flexible cable or cord of this luminaire is damaged, it shall be exclusively replaced by the manufacturer or their service agent or a similar qualified person in order to avoid a hazard.

INCLUDED:

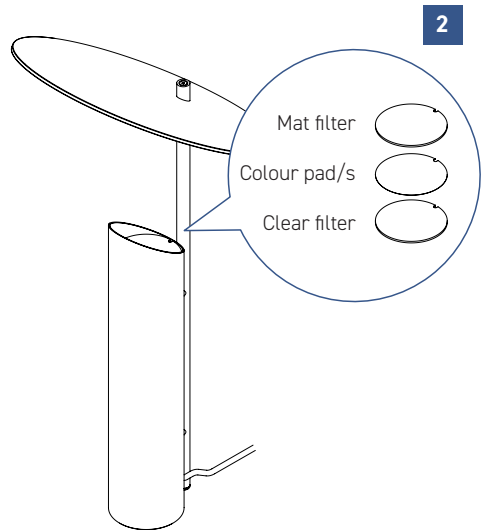
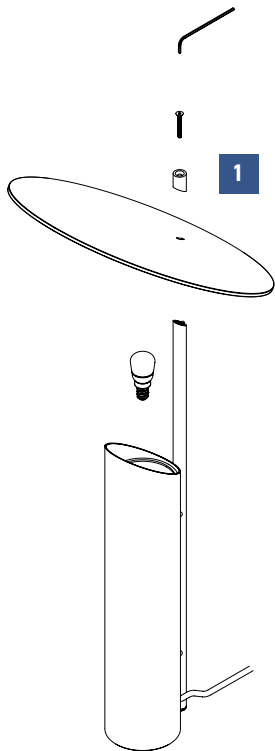


NOT INCLUDED:



EU: E14, model T25 max. 10W
US: E12, model T25 max. 10W

ASSEMBLY INSTRUCTION



1

Apply the shade on to the lamp, make sure the top shade is applied with the correct side up (see sticker on shade).

Secure the shade with the top piece by screwing it in with the corresponding screw and HEX key.

2

The white Reflect lamp contains colour pads, that are used to make an ambient and cozy lighting.

Place one or mix more colour pads between the mat- and clear filter and customize a personal light.



VERPAN - EGESKOVVEJ 29 - DK-8700 HORSENS
WWW.VERPAN.COM

info@verpan.com